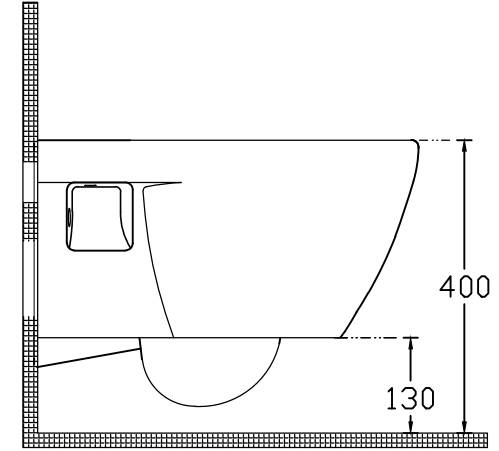
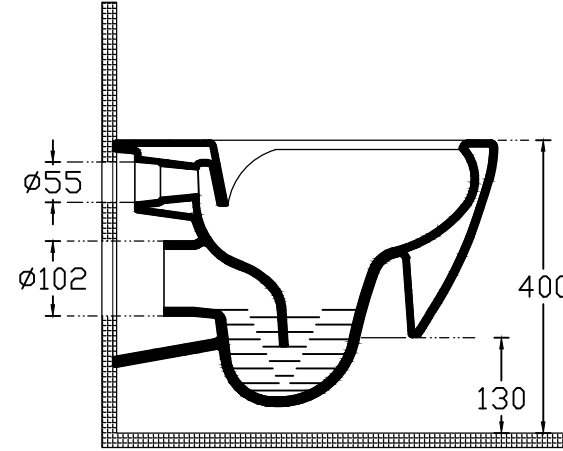
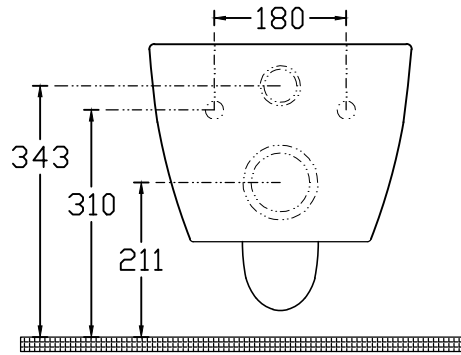
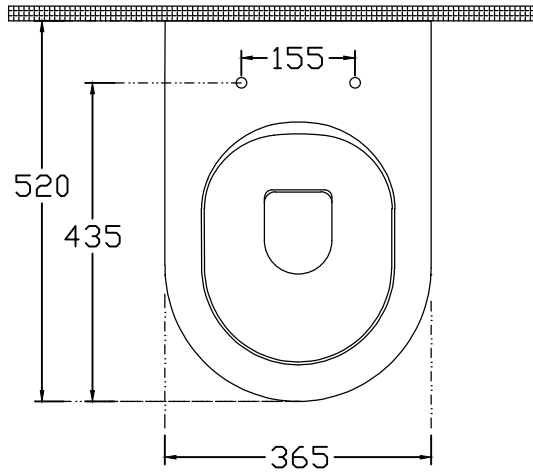




ISVEA

1962 ITALIA

TECHNICAL DRAWING / TEKNİK ÇİZİM



CODE / KOD :10SY02002

DESCRIPTION / AÇIKLAMA : SISTEMA Y RIMLESS WALL HUNG CLOSET / SISTEMA Y RIMLESS ASMA KLOZET

TOLERANCE / TOLERANS : 100 mm ± 1 %