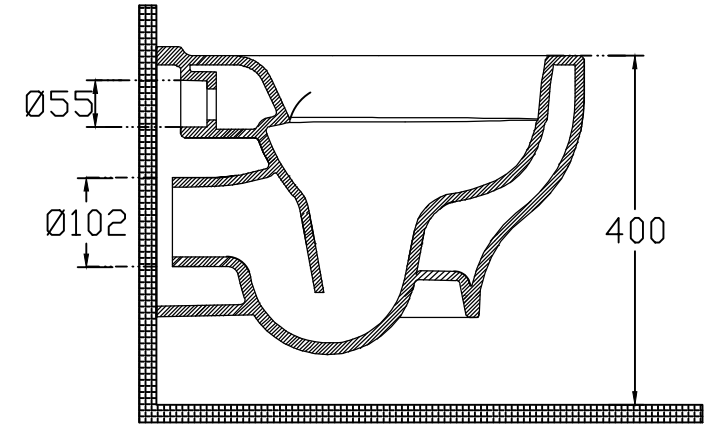
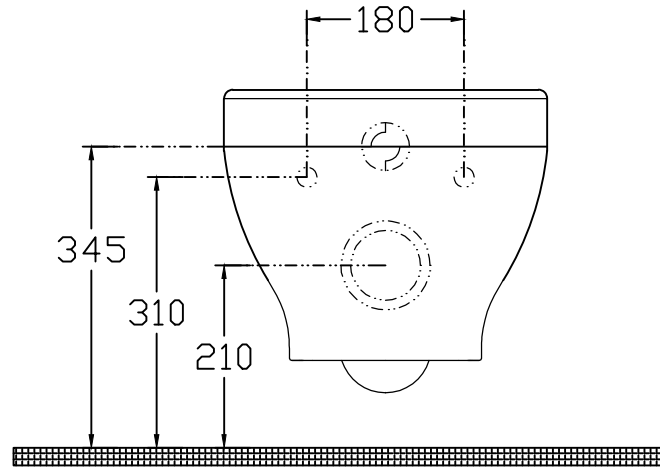
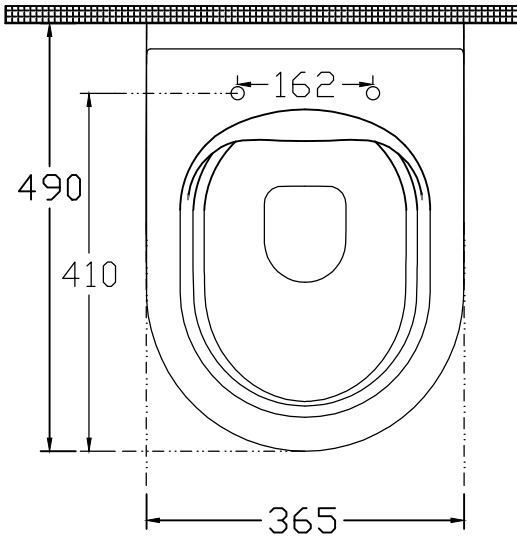




# ISVEA

1962 ITALIA

TECHNICAL DRAWING / TEKNİK ÇİZİM



CODE / KOD : (46814)

DESCRIPTION / AÇIKLAMA : CAVALLY RIMLESS COMPACT WALL HUNG NEW FIXING SYSTEM 3D / CAVALLY RIMLESS COMPACT ASMA KLOZET NEW FIXING SYSTEM 3D

TOLERANCE / TOLERANS : 100 mm ± 1 %