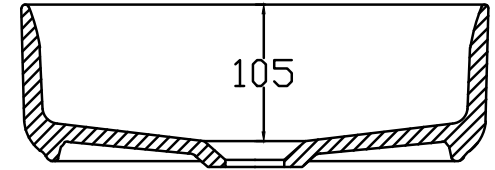
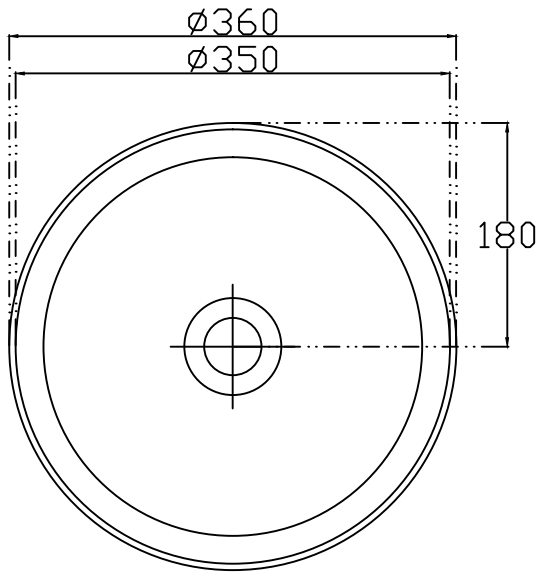




# ISVEA

1962 ITALIA

TECHNICAL DRAWING / TEKNİK ÇİZİM



CODE / KOD : 10NF65036

DESCRIPTION / AÇIKLAMA : INFINITY WASHBASIN Ø36 cm / INFINITY LAVABO Ø36 cm

TOLERANCE / TOLERANS : 100 mm ± 1 %